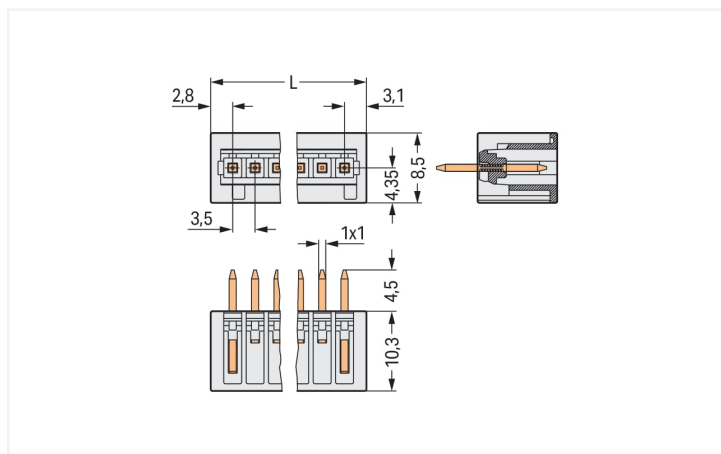


Data Sheet | Item Number: 734-134

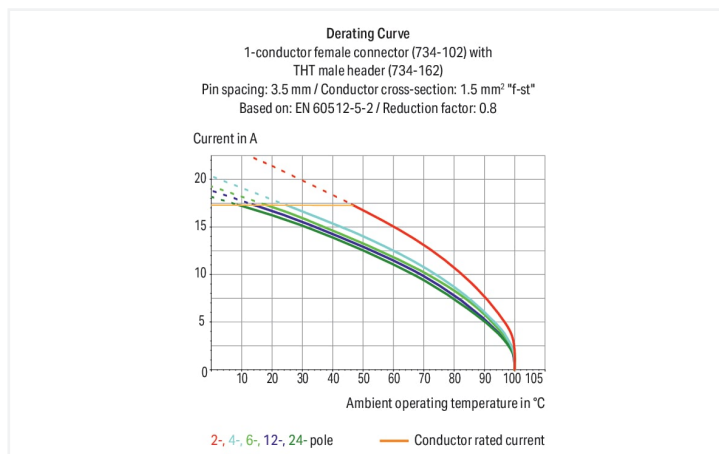
THT male header; 1.0 x 1.0 mm solder pin; straight; 100% protected against mismatching; Pin spacing 3.5 mm; 4-pole; light gray

<https://www.wago.com/734-134>



Dimensions in mm

$L = (\text{pole no.} - 1) \times \text{pin spacing} + 5.9 \text{ mm}$



- Horizontal or vertical PCB mounting via straight or angled solder pins
- 100% protected against mismatching; only mating halves with the same number of poles can be connected together
- Coding option available

Electrical data

| Ratings per | IEC/EN 60664-1 | | |
|----------------------|----------------|--------|--------|
| Overvoltage category | III | III | II |
| Pollution degree | 3 | 2 | 2 |
| Nominal voltage | 160 V | 160 V | 320 V |
| Rated surge voltage | 2.5 kV | 2.5 kV | 2.5 kV |
| Rated current | 10 A | 10 A | 10 A |

| Approvals per | UL 1059 | | |
|---------------|---------|---|-------|
| Use group | B | C | D |
| Rated voltage | 300 V | - | 300 V |
| Rated current | 10 A | - | 10 A |

| Approvals per | CSA | | |
|---------------|-------|---|-------|
| Use group | B | C | D |
| Rated voltage | 300 V | - | 300 V |
| Rated current | 10 A | - | 10 A |

Physical data

| | |
|--------------------------------------|------------------------|
| Pin spacing | 3.5 mm / 0.138 inches |
| Width | 16.4 mm / 0.646 inches |
| Height | 14.8 mm / 0.583 inches |
| Height from the surface | 10.3 mm / 0.406 inches |
| Depth | 8.5 mm / 0.335 inches |
| Solder pin length | 4.5 mm |
| Solder pin dimensions | 1 x 1 mm |
| Drilled hole diameter with tolerance | 1.4 (+0.1) mm |

Subject to changes. Please also observe the further product documentation!

Current addresses can be found at: www.wago.com